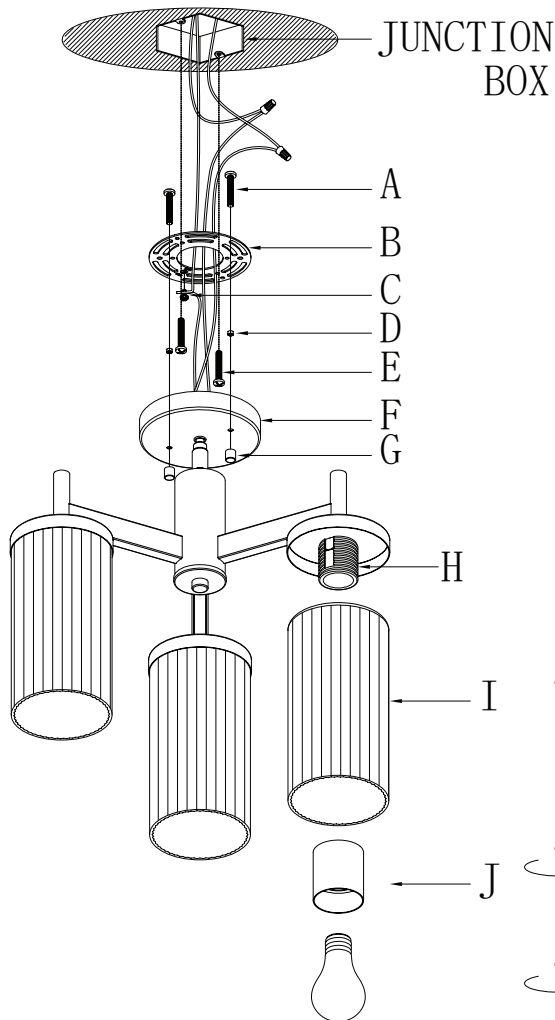


# Assembly Instructions: 7011-3SF (Winslett)

## IMPORTANT:

- ALL INSTALLATION WORK SHOULD BE DONE BY ACCREDITED PROFESSIONAL.
- SHUT OFF POWER SUPPLY AT FUSE OR CIRCUIT BREAKER!
- USE ONLY THE SPECIFIED BULBS. DO NOT EXCEED THE MAXIMUM WATTAGE!

For Customer Service, please contact the place of purchase.



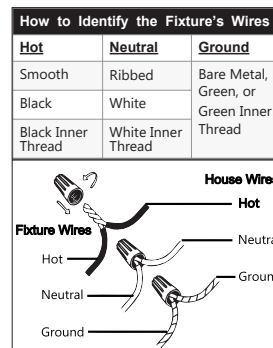
## PREPARING FOR INSTALLATION

Remove all of the contents from the carton. See the important notes above. Shut off the power at the circuit breaker and completely remove the old fixture from the ceiling, including the old mounting strap.

1. Take the mounting strap assembly from the parts bag. Mounting strap (B) contains several threaded holes. Two of the mounting screws (A) should be attached to mounting strap (B) with hex nuts (D) in place. Place mounting strap (B) over the junction box and secure in place with mounting screws (E). Tighten the mounting screws (E) securely with a screwdriver. Pull house wires through the center of mounting strap (B).

## CONNECTING THE WIRES

2. Have an assistant support the fixture's weight while completing the wiring. Refer to the wiring diagram and attach the fixture's wires to the power supply wires from the junction box. Connect Hot to Hot (black or smooth), Neutral to Neutral (white or ribbed), and Ground to Ground (green or copper). Twist the ends of the wire pairs together, and then twist on a wire connector. Make sure all twists are in the same direction. If there is no house ground wire coming from the junction box, locate ground screw (C) on the mounting bracket/mounting strap and wrap the fixture's ground wire around the ground screw. Use a screwdriver to tighten the top of ground screw (C) onto the wires and into the mounting bracket/mounting strap. Tuck the wires into the junction box.



## FINISHING THE INSTALLATION

3. Hold canopy (F) up to mounting strap (B). Line up the holes in canopy (F) with the holes in mounting strap (B) so that mounting screws (A) protrude from the holes in the canopy (F). Screw deco nuts (G) onto the exposed threads of mounting screws (A) until the canopy is snug against the mounting strap and ceiling.

4. Lift glass shades (I) up to the sockets (H). Secure the glass shades (I) to the fixture by screwing on socket cap (J) over the socket. The glass shade should be snug against the fixture with the use of the socket cap (G), be sure not to over tighten.

**Please note overtightening the socket cap will cause the glass shade to crack.**

Install light bulbs (not provided) based on the fixture's specifications. Do not exceed the maximum wattage.

Your installation is now complete. Turn on the power and test the fixture.

## CLEANING TIPS

Treat the fixture gently! Regular cleaning will reduce the need for deep cleaning. For regular cleaning, turn off the light and wipe down the fixture with a clean lint-free cotton or microfiber cloth. Never spray cleaner directly onto the fixture. Hand wash the glass with warm water and mild detergent. Dry with a lint-free or microfiber cloth.